



PREMIER  
COPPER PRODUCTS

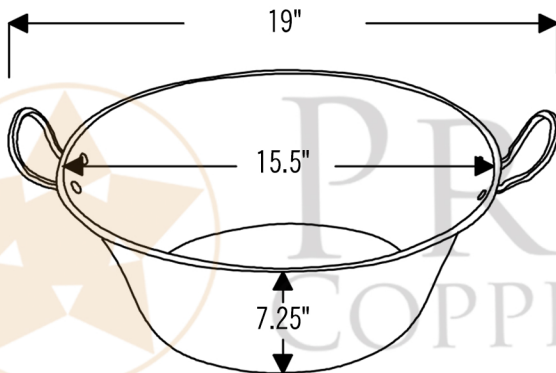
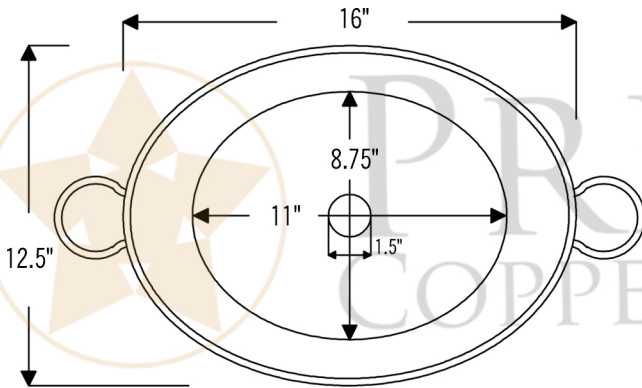
MODEL NUMBER: VOB16PC

CODE/STANDARD COMPLIANCE

\* IAPMO/cUPC LISTED



- \* Description: Oval Bucket Vessel Hammered Copper Sink with Handles in Polished Copper
- \* Outer Dimension: 19" x 12.5" x 7.25" (with handles)
- \* Outer Dimension: 16" x 12.5" x 7.25" (without handles)
- \* Inner Dimension: 15.5" x 12" x 7.25"
- \* Bottom Dimension: 11" x 8.75"
- \* Rim: Hammered Heavy Gauge Rim
- \* Drain Opening: 1.5"
- \* Finish: Polished Copper



THIS PRODUCT IS HAND CRAFTED, SMALL VARIANCES IN COLOR AND SIZE MAY OCCUR.  
DO NOT MAKE ANY INSTALLATION CUTS UNTIL YOU RECEIVE YOUR ITEM(S).