



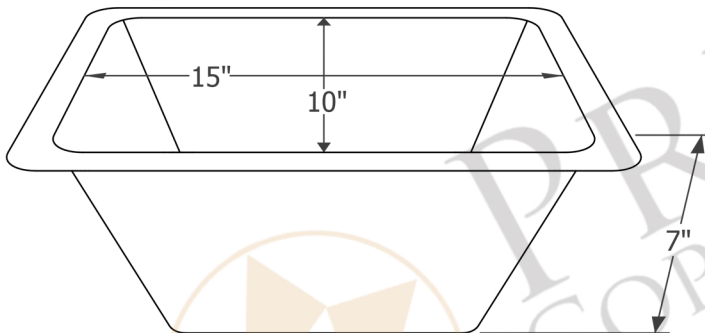
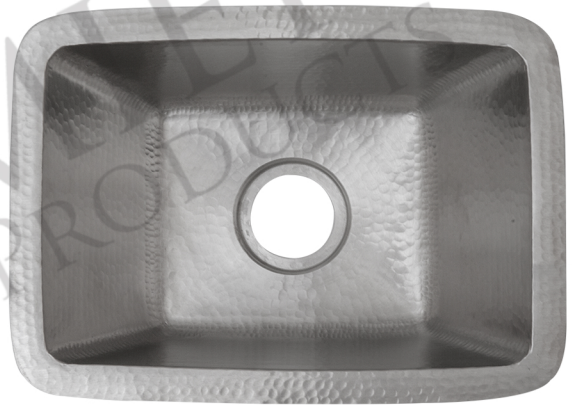
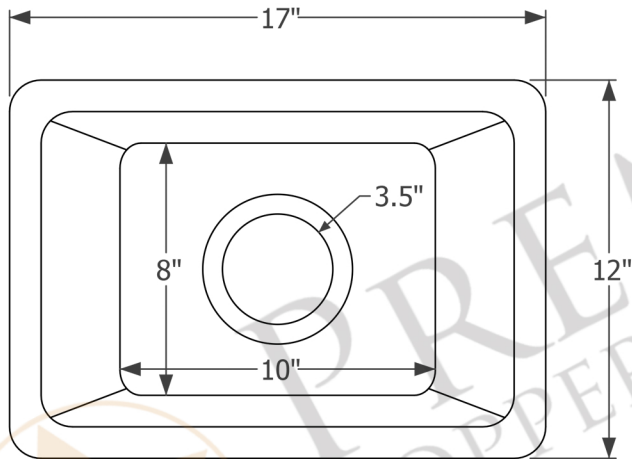
PREMIER
COPPER PRODUCTS

MODEL NUMBER: BRECN3

- * Description: Rectangle Copper Prep Sink with 3.5" Drain Opening
- * Outer Dimension: 17" x 12" x 7"
- * Inner Dimension: 15" x 10" x 7"
- * Rim: 1"
- * Drain Opening: 3.5"
- * Finish: Nickel

CODE/STANDARD COMPLIANCE

* IAPMO/cUPC LISTED



THIS PRODUCT IS HAND CRAFTED, SMALL VARIANCES IN COLOR AND SIZE MAY OCCUR.
DO NOT MAKE ANY INSTALLATION CUTS UNTIL YOU RECEIVE YOUR ITEM(S).