



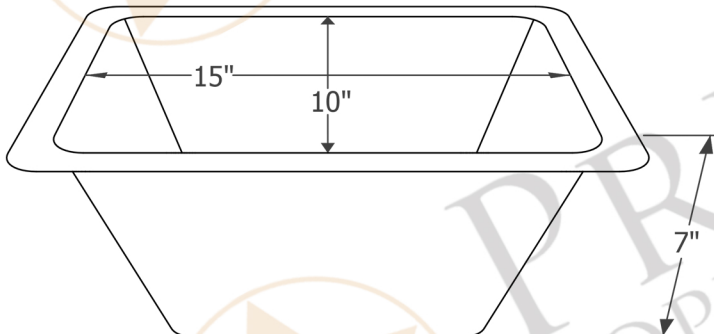
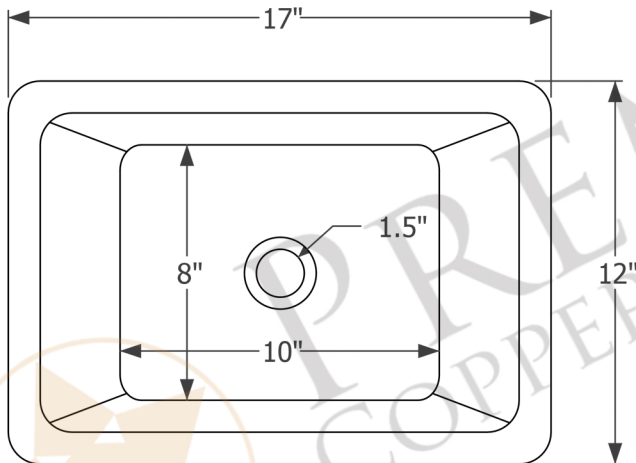
PREMIER
COPPER PRODUCTS

MODEL NUMBER: LRECDB

- * Description: 17" Rectangle Under Counter Hammered Copper Sink
- * Outer Dimension: 17" x 12" x 7"
- * Inner Dimension: 15" x 10" x 7"
- * Rim: 1"
- * Drain Opening: 1.5"
- * Finish: Oil Rubbed Bronze

CODE/STANDARD COMPLIANCE

* IAPMO/cUPC LISTED



THIS PRODUCT IS HAND CRAFTED, SMALL VARIANCES IN COLOR AND SIZE MAY OCCUR.
DO NOT MAKE ANY INSTALLATION CUTS UNTIL YOU RECEIVE YOUR ITEM(S).