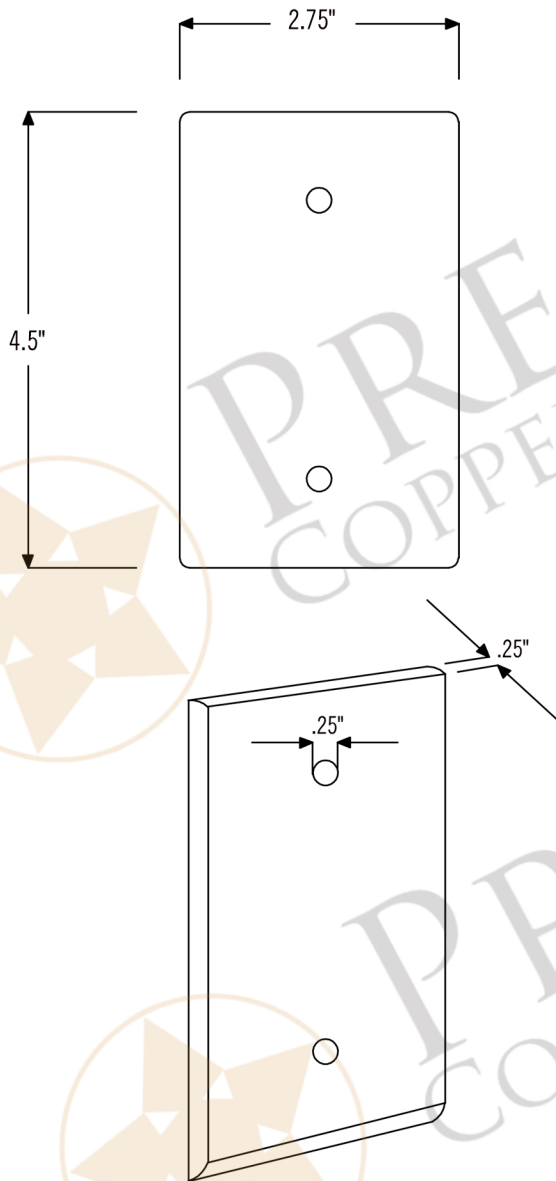




PREMIER
COPPER PRODUCTS

MODEL NUMBER: SB1

- * Description: Blank Hand Hammered Copper Switch Plate Cover - 2 Hole (Top and Bottom)
- * Outer Dimension: 2.75" x 4.5"
- * Finish: Oil Rubbed Bronze



THIS PRODUCT IS HAND CRAFTED, SMALL VARIANCES IN COLOR AND SIZE MAY OCCUR.