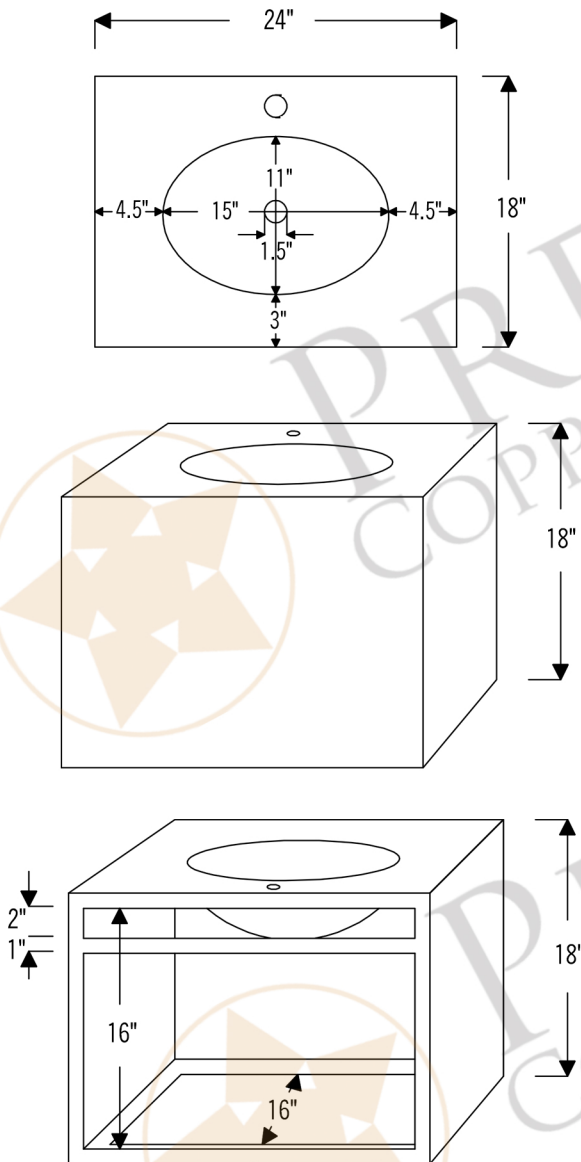




PREMIER  
COPPER PRODUCTS

MODEL NUMBER: VADB24181

- \* Description: 24" Hand Hammered Copper Wall Mount Vanity with Single Faucet Hole
- \* Dimension: 24" x 18" x 18"
- \* Built-In Sink Dimension: 15" x 11" x 6"
- \* Back of Vanity Opening: 16" x 16"
- \* Drain Opening: 1.5"
- \* Faucet Hole: 1-5/8" Center
- \* Finish: Oil Rubbed Bronze
- \* Installation Type: Wall Mount



THIS PRODUCT IS HAND CRAFTED, SMALL VARIANCES IN COLOR AND SIZE MAY OCCUR.  
DO NOT MAKE ANY INSTALLATION CUTS UNTIL YOU RECEIVE YOUR ITEM(S).