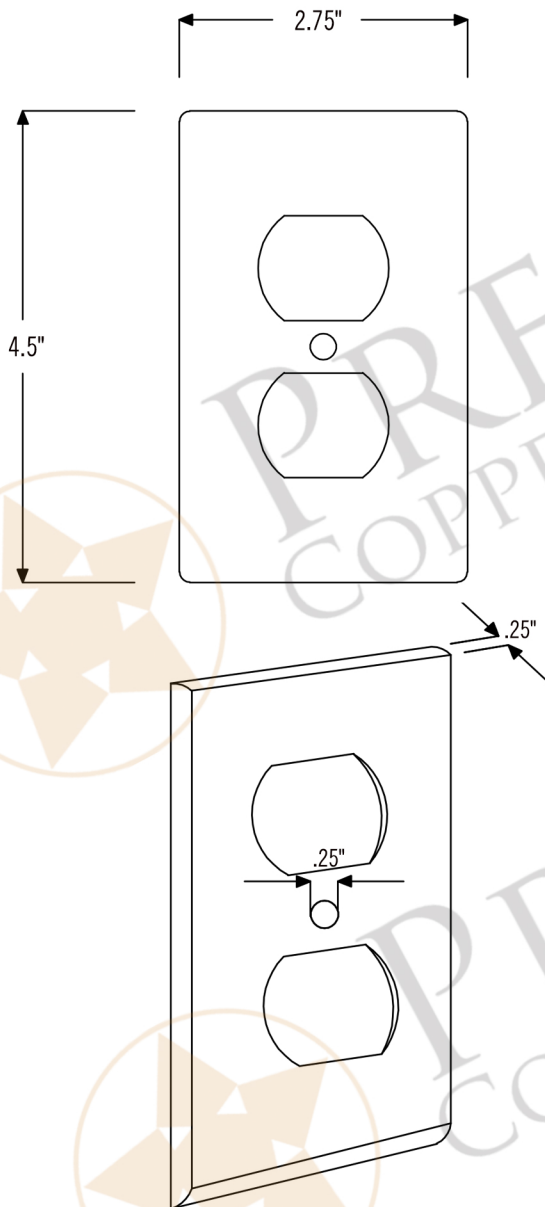




PREMIER
COPPER PRODUCTS

MODEL NUMBER: S02

- * Description: Copper Switch Plate Single Duplex,
2 Hole Outlet Cover
- * Outer Dimension: 2.75" x 4.5"
- * Finish: Oil Rubbed Bronze



THIS PRODUCT IS HAND CRAFTED, SMALL VARIANCES IN COLOR AND SIZE MAY OCCUR.