



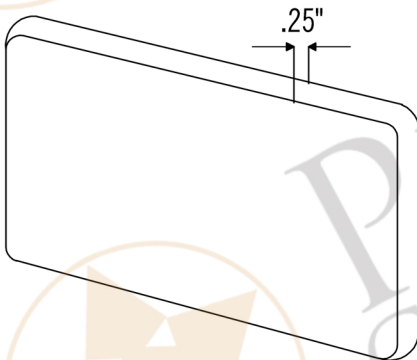
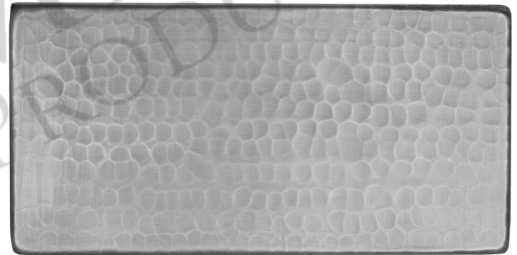
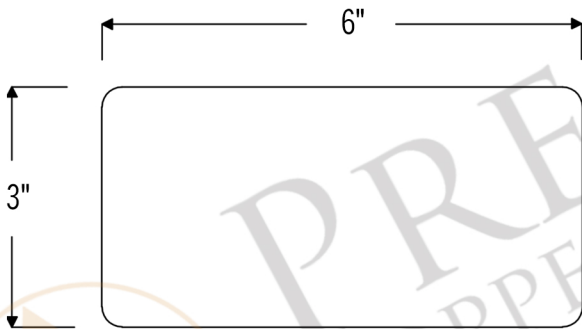
PREMIER  
COPPER PRODUCTS

MODEL NUMBER: T36NH

Description: 3" x 6" Hammered Copper Tile

Dimensions: 3" x 6"

Finish: Nickel Plated



THIS PRODUCT IS HAND CRAFTED, SMALL VARIANCES IN COLOR AND SIZE MAY OCCUR.  
PREMIER COPPER PRODUCTS DOES NOT SUGGEST CUTTING THE TILES.