



PREMIER
COPPER PRODUCTS

MODEL NUMBER: VR16MPDB

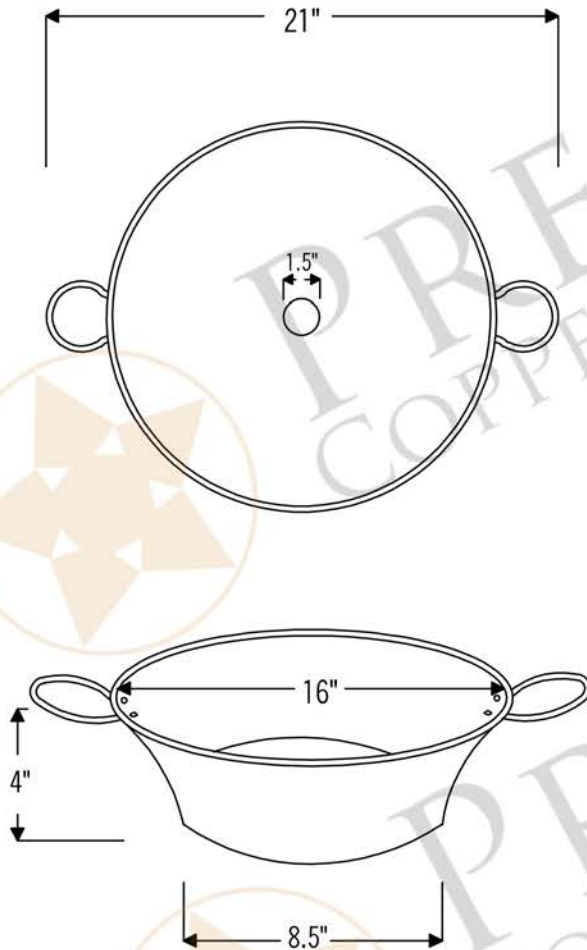
- * Description: Round Minors Pan Vessel Hammered Copper Sink
- * Outer Dimension: 21" x 16" x 4" (with handles)
- * Outer Dimension: 16" x 4" (without handles)
- * Bottom Dimension: 8.5"
- * Drain Opening: 1.5"
- * Finish: Oil Rubbed Bronze

CODE/STANDARD COMPLIANCE

* IAPMO/cUPC LISTED



* ORB: Oil Rubbed Bronze



THIS PRODUCT IS HAND CRAFTED, SMALL VARIANCES IN COLOR AND SIZE MAY OCCUR.
DO NOT MAKE ANY INSTALLATION CUTS UNTIL YOU RECEIVE YOUR ITEM(S).